

Halogen reflector

JCR 150W 15V MR16



Philips' halogen reflector lamps offer the ideal no-fuss solution for a wide variety of medical, projection and scientific illumination systems. Their proven reliability makes them ideal for retrofit installations. The burners are precisely aligned for optimal light performance. Dichroic reflectors ensure heat dissipation towards the back of the optical system, which helps the optical system remain within temperature limits. A special blue-filter version blocking out unwanted light above 700 nm is available for dental curing applications. In addition, you get all the proven advantages of halogen technology such as a CRI of 100 – the same as natural sunlight for the best possible color rendering. Halogen lamps also create a comfortable warm white light, and they maintain their high lumen output with almost no lumen reduction throughout their lifetime.

Product data

• General Characteristics

Philips Code	-
ANSI Code	JCR
J Code	JCR 15V 150W 5H
LIF Code	-
Cap-Base	GZ6.35
Cap-Base Information	-
Bulb	MR16
Bulb Material	Quartz-UV Open
Reflector Finish	Smooth
Filament Shape	-
Operating Position	s90
Main Application	Fiber optic illumination

• Light Technical Characteristics

Color Rendering Index	100 Ra8
Color Temperature Technical	3100 K

• Electrical Characteristics

Watts	150 W
Voltage	15 V
Dimmable	Yes

• Luminaire Design Requirements

Pinch Temperature	350 (max) C
Bulb Temperature	900 (max) C
Working Distance WD	36 mm

• Product Dimensions

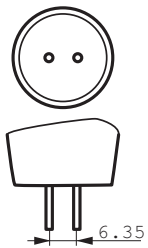
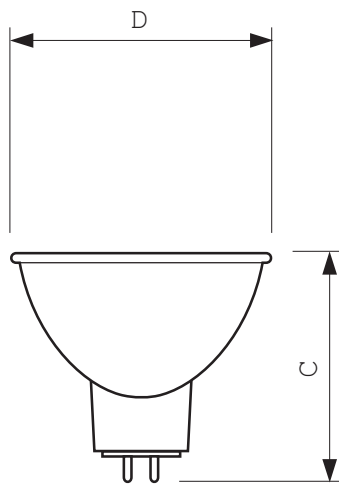
Overall Length C	43 (max) mm
Diameter D	49.7 (max) mm
Pin Diameter P	0.95 (min), 1 (nom), 1.05 (max) mm
Filament Dimensions (WxH) [mm]	-

• Product Data

Product number	249235
Full product name	JCR 150W 15V MR16
Short product name	JCR 15V 150W H5 24 PACK
Pieces per Sku	1
eop_pck_cfg	24
Skus/Case	24
Bar code on pack	8711500413291
Bar code on case	8711500413307
Logistics code(s)	924793618594
eop_net_weight_pp	25.000 gr

Dimensional drawing

Dimensional drawing



GZ6.35

JCR 150W 15V MR16

Product	C (Max)	D (Max)	L (Min)	L (Norm)	L (Max)
JCR.15V 150W 5H	43	49.7	-	-	-



© 2013 Koninklijke Philips Electronics N.V.
All rights reserved.

Specifications are subject to change without notice. Trademarks are the property of Koninklijke Philips Electronics N.V. or their respective owners.

www.philips.com/lighting

2013, January 22
data subject to change