

Lampholders

INDEX

Overview	\$2
Incandescent Lampholders	
Outlet Box, Keyless and Pull Chain	\$3, \$4
Metal Shell and Interiors	\$5
Phenolic Cap and Shell	\$5
Multi-Lampholder Clusters	\$6
Porcelain Par Connectors	\$6
Bayonet Socket-Single Contact	\$6
Porcelain Mogul Base	\$7
Socket Extensions	\$8
Appliance Heating Receptacle	\$8
Porcelain and Phenolic	\$8
Porcelain Snap-In	\$9
Porcelain Keyless-Commercial Units	\$9
Porcelain Keyless Fixture	
Single Circuit-Medium Base	\$9
Porcelain Keyless Medium Base-	
Side Angle Mounted	\$10
Phenolic Keyless Fixture-Medium Base	\$10
Lampholders for Recessed Single	
Contact Lamps	\$10
Lampholders for Metal Halide and	
Quartz Halogen Lamps	\$10
Candle Sockets	\$10-\$12
Fluorescent Lampholders	
Linear Fluorescent	\$13-\$17
Medium Bi-Pin	\$13-\$15
High Output	\$13, \$14
Slimline	\$13, \$14
Miniature	\$16
T-8 to T-5 Adapter	\$16
4-Pin Long Twin Tube with 2G11 Base	\$17
Lamp Support Clips for Long Twin Tube	\$18
Compact Fluorescent	
Lampholders (CFL's)	\$19-\$22

For a complete listing of OEM products, see the OEM-100 Catalog.



LAMP HOLDERS

A VARIETY OF INCANDESCENT AND FLUORESCENT STYLES IN A RANGE OF RATINGS AND MATERIALS

Leviton offers a complete selection of outlet box, incandescent, fluorescent and specialty lampholders, in various ratings and materials. The following pages offer a variety of types and styles.

PORCELAIN MEDIUM BASE LAMPHOLDER

With a choice of mounting and wiring options, these lampholders are ideal for a wide range of commercial and residential incandescent fixtures.

Cat. No. 8101 shown



OUTLET BOX LAMPHOLDER

Available in keyless, pull chain and outlet models, all featuring easy twist-lock mounting.

Cat. No. 8827-CW4 shown



LONG TWIN-TUBE 2G11 BASE LAMP HOLDERS

Choice of mounting and wiring options to reduce fixture assembly time.

Cat. No. 13453 shown



FLUORESCENT LAMPHOLDER FOR MEDIUM BI-PIN LAMPS

Features Lamp-Lock design for quick relamping. Models dedicated for energy-efficient T-8 lamps available.

Cat. No. 13653-WP shown



CANDELABRA BASE LAMPHOLDER

Keyless lampholders for chandeliers and other fixtures, featuring various hickeys or double snap-in spring clips.

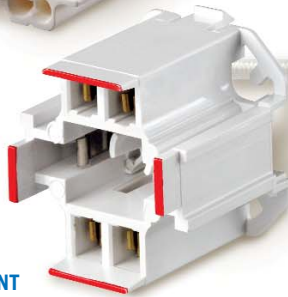
Cat. No. 10014-800 shown



COMPACT FLUORESCENT LAMP HOLDERS

Available for all popular 2-pin and 4-pin lamp bases, with a variety of mounting options. Color-coded for easy wattage identification.

Cat. No. 26725-426 shown



PORCELAIN MOGUL BASE LAMPHOLDER

A complete selection of high-quality porcelain moguls with leads or screw terminals. Pulse-rated models available.

Cat. No. 8756 shown

METAL SHELL LAMPHOLDER

Medium base, electrolier lampholders available in a variety of attractive finishes.

Cat. No. 9346-PG shown



Outlet Box Lampholders

660 WATT 600V One-Piece Keyless Top Wired

DESCRIPTION/ TERMINALS	WHITE UREA CAT. NO.	OD	FITS BOX SIZE
2 Terminal Screws	8829-CW1	4½"	3¼" or 4"
6" Pigtail Leads	8829-CW2	4½"	3¼" or 4"
4 Terminal Screws	8829-CW4	4½"	3¼" or 4"

660 WATT 250V One-Piece Pull Chain Top Wired

DESCRIPTION/ TERMINALS	WHITE UREA CAT. NO.	OD	FITS BOX SIZE
2 Terminal Screws	8827-CW1	4½"	3¼" or 4"
6" Pigtail Leads	8827-CW2	4½"	3¼" or 4"
2 Terminal Screws with Captive Clamps	8827-CW4	4½"	3¼" or 4"

660 WATT 250V One-Piece Keyless Top Wired

DESCRIPTION/ TERMINALS	PORCELAIN CAT. NO.	OD	FITS BOX SIZE
2 Screws★	9874	3¾"	3¼"
2 Screws, no cage lip	9875	4½"	3¼" or 4"
6" Pigtail Leads, no cage lip	9875-2	4½"	3¼" or 4"
4 Screws	49875	4½"	3¼" or 4"
4 Quickwire Push-In★	9883	4½"	3¼" or 4"

660 WATT 250V One-Piece Pull Chain Top Wired

DESCRIPTION/ TERMINALS	PORCELAIN CAT. NO.	OD	FITS BOX SIZE
2 Screws	29816-C	4½"	3¼" or 4"
6" Pigtail Leads	29816-C2	4½"	3¼" or 4"
2 Screws w/Captive Clamps for 4-Wire Terminals	49816-C	4½"	3¼" or 4"
Interior Mechanism for 2-Piece Outlet Box Lampholders★	29816-CM*		

*When existing stock is depleted, this item will be DISCONTINUED.

CSA Certified except where indicated by★



SPECIFICATIONS AND FEATURES

- Twist-lock mounting
- Pull chain models have bell at end of chain on 3 foot cord
- Medium base

TESTING AND CODE COMPLIANCE

- UL Listed (File #E-3810)
- CSA Certified (File #LR-1863)



660W 125V — 15 AMP-125V

Medium Base Incandescent Lampholders




9716-C




9726-C

Outlet Box Lampholders

660 WATT 125V Lampholder Outlet 15 AMP-125V One-Piece Pull Chain Side Wired ^{UL}

DESCRIPTION/ TERMINALS	PORCELAIN	OD	FITS BOX SIZE	NEMA CONFIG.
2 Screws★	9716-C	4½"	3¼" or 4"	1-15R 

660 WATT 125V Lampholder Outlet 15 AMP-125V One-Piece Pull Chain Top Wired ^{UL} ^{CS}

DESCRIPTION/ TERMINALS	PORCELAIN	OD	FITS BOX SIZE	NEMA CONFIG.
2 Screws	9726-C	4½"	3¼" or 4"	5-15R 

Ball and Chain Accessories

DESCRIPTION	BRASS FINISH	NICKEL FINISH
No. 6 Chain; ¼" Dia. Balls	18302-1	18302-1N



DESCRIPTION	BRASS FINISH	NICKEL FINISH
Connector for No. 6 Chain	9820	9820-N



DESCRIPTION	BRASS FINISH	NICKEL FINISH
Chain, 3 feet long, End Bell and Connector; use as extension or replacement; ¼" Dia. Balls	6	6-N



DESCRIPTION	BROWN	WHITE
Insulating Link; Thermoplastic 1¾" Total Length	9839	9839-I



CSA Certified except where indicated by★

SPECIFICATIONS AND FEATURES

- 2-Pole, 2-Wire Outlet; 2-Pole, 3-Wire Outlet
- Twist-lock mounting
- Pull chain models have bell at end of chain on 3 foot cord

TESTING AND CODE COMPLIANCE

- UL Listed (File #E-3810; E-7516)
- CSA Certified (File #LR-1863)



Metal Shell Lampholders

Medium Base, Choice of Finishes*

DESCRIPTION	CAT. NO.	RATING
Key—Electrolier; Single Circuit; 1/8 IPS Tapped Bushing w/Set Screw	9346	250W 250V
Removable Turn Knob—Electrolier; Single Circuit; 1/8 IPS Tapped Bushing w/Set Screw	10083-16	250W 250V
Removable Turn Knob—Electrolier; 2-Circuit; 3 Terminal; 1/8 IPS Tapped Bushing less Set Screw	7070	250W 250V
Removable Turn Knob—Electrolier; 2-Circuit; 1/8 IPS Tapped Bushing	7090	250W 250V
Pull Chain—Electrolier; Single Circuit; 1/8 IPS Tapped Bushing w/Set Screws	19980	660W 250V
Push Through—Electrolier; Single Circuit; 1/8 IPS Tapped Bushing w/Set Screw	7080	660W 250V
Keyless—Electrolier; Single Circuit; 1/8 IPS Tapped Bushing w/Set Screw	8004	660W 250V
Keyless—Short Electrolier; Single Circuit; 1/8 IPS Tapped Bushing w/Set Screw	9347	660W 250V

Metal Shell Lampholders

Interiors — Medium Base, Phenolic Body, Aluminum Screw Shell†

LAMPHOLDER	CAT. NO. INTERIOR
19980	19980-M†
10083-16	10083-M†
7070	7070-M†
7090	7090-M†
9346	9346-M†
6098	7080-M†
8004	8004-M†

Brown Phenolic Cap and Shell Lampholders

Two-Piece, Medium Base Electrolier Interiors

DESCRIPTION	CAT. NO.	RATING	INTERIORS†
Pull Cord (nylon); 2-Circuit, 1/8 IPS Threaded Cap w/Set Screw	97092	250W 250V	7092-2M†
Push-Through; 1/8 IPS Threaded Cap w/Set Screw	95110	660W 250V	7080-M†
Keyless; 1/8 IPS Threaded Cap w/Set Screw	95080	660W 250V	8004-M†

†UL Recognized component.

NOM Certified except where indicated by†.

SPECIFICATIONS AND FEATURES

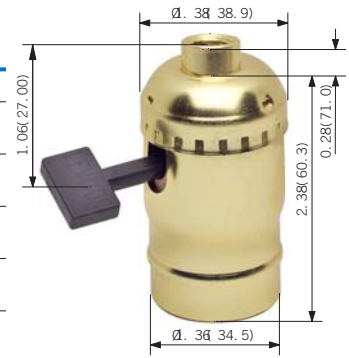
- Phenolic interior with aluminum screwshell
- 2-Circuit lampholders operate dual-filament lamps in sequence of Low-Medium-High-Off
- Cat. No. 7070 (2-Circuit, 3-Terminal) is wired in series with keyless lampholder

TESTING AND CODE COMPLIANCE

- UL Listed (File #E-3810)
- CSA Certified (File #LR-1863)
- NOM Certified (File #057), except interiors

***FINISH**

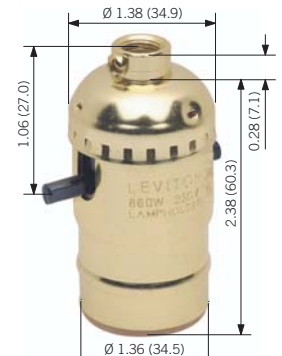
A suffix must be added to each basic catalog number to indicate the finish desired. For Polished Gilt/Brass finish, add -PG; for Unfinished Aluminum, add -AL; for Polished Aluminum, add -NI (finishes on aluminum). For bright dip/Brass, add -BR (finish on brass). CONSULT LEVITON REPRESENTATIVE FOR AVAILABILITY OF FINISHES.



9346



7090



7080



95110



660W 250V

Medium, Candelabra Base, Par Connectors—Incandescent Lampholders

Incandescent Lampholders



4034-F5A



341-D4U



4032-E5F

Medium Base Multi-Lampholder Clusters

Treated Aluminum Screw Shell

DESCRIPTION	CAT. NO.	RATING	T	TA	B	BA	OAH T+B
2-Light Twin 1/8 IPS Male Top Bracket Only	4020-A3A	660W 250V	15/16	5/16	—	—	—
2-Light Twin 1/8 IPS Male (top & bottom)	4015-D4F	660W 250V	11/16	5/16	11/16	7/16	33/8
2-Light Offset 1/8 IPS Male (top & bottom)	4032-E5F	660W 250V	13/4	5/16	13/4	7/16	31/16
3-Light 1/8 IPS Male (top & bottom)†	341-D4U	660W 250V	13/4	1/2	13/4	7/16	31/2
2-Light Offset 1/8 IPS Male (top); Pullchain Switch (bottom) with 1/2" usable shank★	4034-F5A	660W 250V 1A 125V T	13/4	5/16	115/16	1/2	33/4+
2-Light Twin 1/8 IPS Male (top); Pullchain Switch (bottom) 3/8" usable shank★	4017-D2F	660W 250V 1A 125V T	11/16	5/16	11/16	3/8	213/16+

+Includes nut.

Leads are No. 18 AWG 105°C plastic; 9" long, stripped 3/4"; untinned and pulled through top bracket.

Porcelain Par Connectors

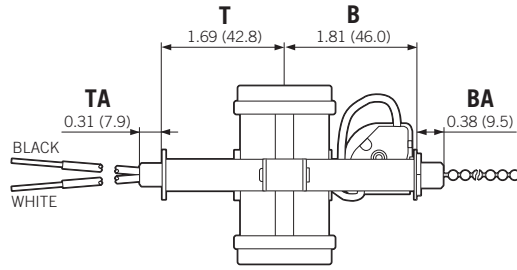
DESCRIPTION	CAT. NO.	RATING
Medium Base for PAR #46 and #38 lamps. Leads are No. 14 AWG 200°C SEW-2 Silicone Rubber Insulated; 18" Long, Stripped 3/4". Others available on inquiry‡	368-1	660W 125V
Mogul Base for PAR #56 and #64 lamps. Leads are No. 14 150°C SEWF-2; 18" Long, Stripped 3/4". Others available upon request	357-8	1000W 125V

Bayonet Socket — Single Contact

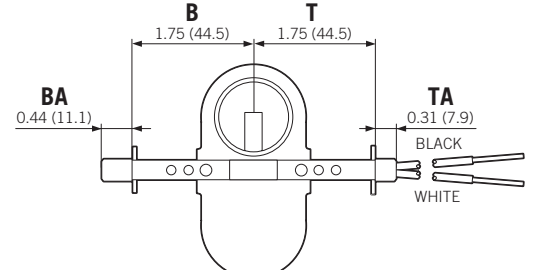
Candelabra Base

DESCRIPTION	CAT. NO.	RATING
Flat Bracket. Leads are No. 18 AWG, 105°C Plastic; 6" Long, Stripped 3/4" (one black, one white)★‡	905	Low Voltage

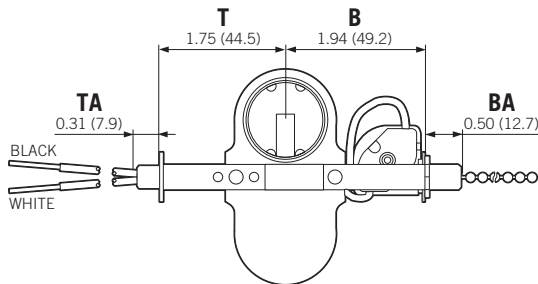
All devices are UL Listed except Cat. No. 905. Also CSA Certified except where indicated by★, and NOM Certified except where indicated by‡.



4017-D2F



4032-E5F



4034-F5A

SPECIFICATIONS AND FEATURES

- Pull chain models have bell at end of chain on 3 foot cord
- Medium and Candelabra bases
- Par connectors have white, unglazed porcelain body

TESTING AND CODE COMPLIANCE

- UL Listed (File #E-13405, E-3810)
- CSA Certified (File #LR-5863, LR-1863)
- NOM Certified (File #057)



Porcelain Mogul Base Lampholders

With Leads*

DESCRIPTION	CAT. NO.	RATING	OD	OH
Keyless, Single Circuit. For high pressure sodium lamps up to 1000 watts. 8-32 Mounting Screws on 1 3/8" Centers	8746	1500W 600V 5KV Pulse-rated	2 1/8	3 1/64
Keyless, Single Circuit. Positon-oriented. For Super Metalarc HID lamps. 8-32 Mounting Screws on 1 3/8" Centers	8750	1500W 600V	2 5/32	2 39/64
Keyless, Single Circuit. For high-pressure sodium lamps up to 400 watts. 8-32 Mounting Screws on 1 3/8" Centers	8756	1500W 600V 4KV Pulse-rated	2 5/32	2 39/64
Low Pressure Sodium. For use with all single-end bayonet base low pressure sodium lamps★‡	8806	660W 1000V	1 3/8	1 5/8
Designed for Open-Fixture Shielded Metal Halide Lamps. Complies with NFPA 70-2005 for Open-Rated Fixtures. 8-32 Mounting Screws on 1 3/8" Centers	8751	1500W 600V, 4KV Pulse Rated	2 5/32	2 39/64

*Leads types, lengths and ratings vary with the end use applications. Standard leads as well as variations available on inquiry.

Screw Terminals

DESCRIPTION	CAT. NO.	RATING	OD	OH
Keyless; 2-Piece; Single-Pole★	8765	1500W 600V	2 5/16	2 23/64
Keyless;. Single Circuit with 8-32 Lock Nuts on 1 3/8" Centers. Die-cast caps available upon request	8694	1500W 600V	2 5/32	2 39/64

CSA Certified except where indicated by★, and NOM Certified except where indicated by‡.



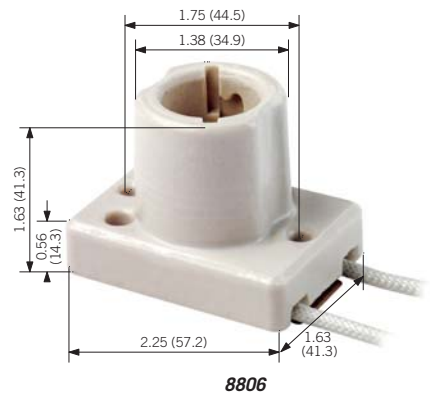
8746



8750



8694



8806

SPECIFICATIONS AND FEATURES

- Cat. No. 8746 – Porcelain body gray glazed with ceramic arc shield; Cat. No. 8750 – Porcelain body yellow glazed; Cat. No. 8751 – Porcelain body pink glazed
- All other moguls listed have white glazed porcelain body
- Copper-alloy nickel-plated screw shell

TESTING AND CODE COMPLIANCE

- UL Listed (File #E-13402)
- CSA Certified (File #LR-1863)
- NOM Certified (File #057)
- Cat. No. 8751 complies with NFPA 70-2005 requirements for open-rated fixtures



660W 250V • 1500W 600V

Medium, Mogul and Candelabra Base Incandescent Lampholders



2005



19062



9880

Socket Extensions — Single Circuit

Medium-Medium

DESCRIPTION	CAT. NO.	RATING
2-Piece Porcelain; Mounting Hole 1 3/8" Dia. Extension 1 1/4"*	2004	660W 250V
1-Piece Porcelain; Slotted Mounting Hole 1 3/8" Dia. Extension 1 1/4"*	2005	660W 250V
1-Piece Phenolic. Extension 1 3/16"***	2006	660W 250V

*To be used with porcelain sockets only

**To be used with phenolic sockets only

Mogul-Mogul

DESCRIPTION	CAT. NO.	RATING
1-Piece Porcelain. Extension 2 3/8"†	8647	1500W 600V

Socket Adapter

Mogul-To-Porcelain Medium

DESCRIPTION	CAT. NO.	RATING
1-piece. Meets Fed. Spec. W-L-142a‡	8681	660W 250V
Same as above, except 4 KV Pulse-Rated‡	8681-400	660W 250V 4 KV Pulse-Rated

Appliance Heating Receptacle

Porcelain Two-Piece

DESCRIPTION	CAT. NO.	RATING
2-piece Heating Receptacle. Gasket Furnished‡	8110	660W 250V

Porcelain and Phenolic Lampholders

Pony Cleat Type

DESCRIPTION	CAT. NO.	RATING	OD	OH	C
Candelabra Base; Plastic. Not UL Listed★‡	10028	75W 125V	17/16	7/8	1 1/8
Miniature Base; Plastic. Not UL Listed★‡	10020	75W 125V	15/16	7/8	31/32
Medium Base, Phenolic	9063	660W 250V	17/8	1 1/2	1 15/16
Medium Base, Porcelain	19062	660W 250V	17/8	1 1/2	1 15/16

Surface Type

DESCRIPTION	CAT. NO.	RATING	OD	OH	C
Medium Base; Porcelain; Low 2-Piece	9880	660W 250V	2 5/16	1 1/2	1 3/8
Medium Base; Porcelain; High 2-Piece★‡	9882	660W 250V	2 5/16	1 7/8	1 3/8

CSA Certified except where indicated by★, and NOM Certified except where indicated by‡.

SPECIFICATIONS AND FEATURES

- Medium-to-Medium Extenders available in phenolic and porcelain
- Pony Cleat Receptacles have open wiring terminals
- Two-piece surface-type lampholders have concealed wiring terminals with wireways for top and continuous wiring

TESTING AND CODE COMPLIANCE

- UL Listed (File #E-3810; E-13396)
- CSA Certified (File #LR-1863)
- NOM Certified (File #057)



Porcelain Snap-In Lampholders — Medium Base

Screw Terminals

DESCRIPTION	CAT. NO.	RATING	OD	OH
1-Piece, Front Mounted. 1/4" Shoulder. Panel Thickness: .025 – .062"	8880	660W 250V	1 11/16	1 1/2
1-Piece, Front Mounted. Shallow Back. Panel Thickness: .030 – .062"	8875	660W 250V	1 11/16	1 11/16

Porcelain Keyless Lampholders Commercial Units — Medium Base

Single Circuit Screw Terminals

DESCRIPTION	CAT. NO.	RATING	OD	OH
Straight Body with Cap. Screw Terminals.	10045	660W 250V	1 1/2	2 1/8
Beaded Body for 1 1/2" Clamp Style Shadeholder with Cap. Screw Terminals.	10065	660W 250V	Body 1 1/2	2 1/8
Adjustable Glass Retaining Ring with Cap and Ring Nut. Screw Terminals.	20070	660W 250V	2 1/4 ringnut	—
Straight Body with Leads. No. 18 AWG 105°C Plastic; 9" Long, Stripped 3/4" with Two 6/32 Mounting Screws	10085	660W 250V	1 1/2	1 11/16

Porcelain Keyless Fixture Single Circuit — Medium Base

Screw Terminals

DESCRIPTION	CAT. NO.	RATING	OD	OH
1-Piece, Front Mounted for Fixture or Sign Use. Tapped 8-32 Bushings, Mounting Centers 1 13/16".	9885	660W 600V	1 5/8	1 7/16
2-Piece, Ring Type	9350	660W 250V	1 3/4	1 3/8
1-Piece with Removable Strap★	8871	660W 250V	1 11/16	1 9/16
Fixture Pan Lampholder with 1/8" IPS Hickey	3152-8	660W 250V	1 3/8	1 7/16

Leads

DESCRIPTION	CAT. NO.	RATING	OD	OH
2-Piece Ring Type with Leads: No. 18 AWG, 105°C Plastic; 9" Long, Stripped 3/4"	8101	660W 250V	1 3/4	1 3/8
Angle Pan with Leads: No. 18 AWG Type AF 150°C Plastic; 9" Long, Stripped 3/4"	18315	660W 250V	—	—
Removable Bracket with Leads	8052-1	660W 250V	1 3/8	1 7/16
Screw-Mount Pulse-Rated Lampholder with Leads for Open-Fixture Lamps; 18 AWG 200°C 600V SEW-2 (SF-2) wire; 9" Long, Stripped 1/2"	70052-100	660W 600V, 4KV Pulse Rated	1 45/64	2 9/32

Two-Piece Pull Chain

DESCRIPTION	CAT. NO.	RATING	OD	OH
Ring Type; Screw Terminals; Gasket Furnished★ ‡	9814	250W 250V	1 13/16	1 13/16

CSA Certified except where indicated by★, and NOM Certified except where indicated by‡.

SPECIFICATIONS AND FEATURES

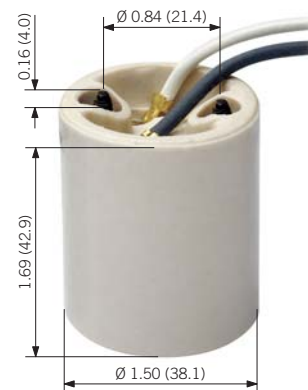
- Suitable for a wide variety of fixtures, signs and displays
- Unglazed base and ring on two-piece lampholders
- Gasket supplied with two-piece ring type rated at 90°C dry maximum

TESTING AND CODE COMPLIANCE

- UL Listed (File #E-3810)
- CSA Certified (File #LR-1863)
- NOM Certified (File #057)



8880



10085



3152

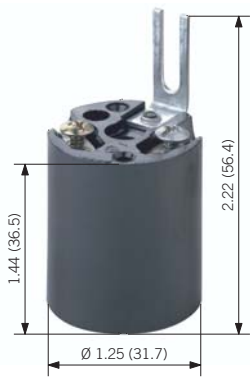


8101



660W 600V • 660W 250V • 250W 250V • 3000W 600V

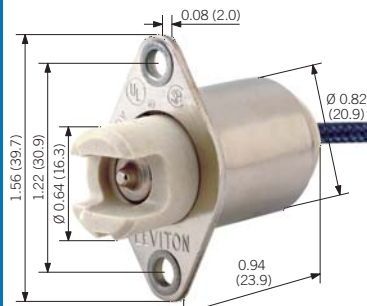
Medium Base, Metal Halide and Quartz Halogen Incandescent Lampholders



3352-1



4005



554



560

Phenolic Keyless Fixture — Medium Base

Screw Terminals

DESCRIPTION	CAT. NO.	RATING
Permanent Bracket. Terminal Screws Backed Out and Staked	3352-1	660W 250V
Same as 3352-1, with Shorter Bracket	3352-F	660W 250V
Removable Hickey. Terminal Screws Backed Out and Staked	3352-8	660W 250V

Hickeys and brackets are available in various types and sizes. Consult a Leviton representative for more information.

Porcelain Keyless, Side-Mounted — Medium Base

Screw Terminals

DESCRIPTION	CAT. NO.	RATING
Single Lampholder w/Side Outlet Bushing—1/8 IPS	10091	660W 250V
Twin Lampholder w/Bushed Flange—1/8 IPS	4010	660W 250V
Twin Lampholder w/Single Outlet Bushing—1/8 IPS	4005	660W 250V
Same as 4005 with 3/8 IPS Bushing	4006	660W 250V

All bushings are tapped and have set screw

Candle Sockets, Bottom Turn Knob — Medium Base

Screw Terminals

DESCRIPTION	CAT. NO.	RATING
Three-light, two-piece phenolic husk. Lighting sequence: LO-MED-HI-OFF★	4063	250W 250V

Lampholders for Recessed Single Contact Lamps

DESCRIPTION	CAT. NO.	RATING
Front Flange Mount. Standard Leads are No. 18 AWG, Type SEW-2, 200°C, 18" Long, Stripped 3/4"‡	554	3000W 600V
Rear Flange Mount. Same Leads and Specs as No. 554‡	555	3000W 600V

Lampholders for Metal Halide and Quartz Halogen Lamps

DESCRIPTION	CAT. NO.	RATING
Single-Ended Metal Halide for Lamps with a G8.5 Base. Lead-In Edge on Body Ensures Proper Lamping. Standard Leads (2) are Black No. 18 AWG, Type SEW-2, 200°C 600V Wire, 9" Long, Stripped .325"‡	560	660W 600V, 5KV Pulse Rated
Single-Ended Metal Halide for Lamps with a GX8.5 Base, such as Philips CDM-R11, rated up to 150W. Standard Leads (2) are Black No. 18 AWG, SEW-2, 200°C 600V Wire, 12" Long, Stripped 1/2"‡	565	660W 600V, 5KV Pulse Rated
Twist-In Single-Ended Quartz Halogen for Lamps with a GU10 Base, rated up to 150W. Fully Dimmable; Standard Leads (2) are White, No. 20 AWG Teflon® wire, rated 250°C 600V, 6" Long, Stripped 1/2"‡	570	660W 600V

CSA Certified except where indicated by ★, and NOM Certified except where indicated by ‡.

SPECIFICATIONS AND FEATURES

- Cat. No. 3352 lampholder bodies have wireways
- Side-Mounted lampholders are white glazed porcelain with copper-alloy screwshell
- Recessed Single-Contact lampholders have porcelain body with nickel-plated steel housing
- Cat. No. 560 has a metal lamp-positioning clip (patent pending) that maintains lamp seating position
- Cat. No. 565 is designed for energy-efficient CDM lamps
- Cat. No. 570 twists in and is fully dimmable

TESTING AND CODE COMPLIANCE

- UL Listed (File #E-3810) Cat. Nos. 560, 565 and 570: cULus (File #E-13405)
- CSA Certified (File #LR-1863)
- NOM Certified (File #057)



Candelabra and Medium Base Incandescent Lampholders

Candle Sockets, Bottom Turn Knob — Medium Base

Screw Terminals

DESCRIPTION	CAT. NO.	RATING
1-Piece Phenolic Body; 2 Leg Bracket; Single Light; Removable Interior; Knurl Nut and Lock Nut	4155	660W 250V
2-Piece Phenolic Husk & Removable Interior Husk; Single Light; Knurl Nut	4158	660W 250V

Candle Sockets, Keyless* — Medium Base

Fiber-Disc Body, Screw Terminals

DESCRIPTION	CAT. NO.	RATING
Solid Hickey, 2" Overall Height†	8684	660W 250V
Adjustable Hickey, Overall Height: 4–5¾"	9800	660W 250

*Insulating paper liner pushes down against hickey projections.

NOTE: These items are designed for use with standard socket candle tubes (1⁵/₁₆" dia.) and require a minimum of 1³/₁₆" dia. flat bottom of candle cup for clearance.

Candle Sockets, Phenolic — Medium Base

With Removable Turn Knob, Screw Terminals

DESCRIPTION	CAT. NO.	RATING
Removable Knob (Short Type), Adjustable Hickey. Overall Height: 4–5½"	9805*	250W 250V
Removable Knob, Removable 1-Leg Hickey. Overall Height: 27/16"	9805-A*	250W 250V

NOTE: These items are designed for use with standard socket candle tubes (1⁵/₁₆" dia.) and require a minimum of 1³/₁₆" dia. flat at bottom of candle for clearance.

Candelabra Base, Keyless* †

DESCRIPTION	CAT. NO.	RATING
Screw Terminals; Solid Hickey. Overall Height: 2"	10025	75W 125V
Screw Terminals; Solid Hickey. Overall Height: 1½"	10027	75W 125V
Screw Terminals; Adjustable Hickey: 3¼–4¾"	10026	75W 125V
Double Snap-In Spring Clips. Height of socket from panel is 1". Leads are No. 18 AWG 105°C plastic, 24" long, stripped ½"	10014-800	75W 125V

*7/8" candle tube. All hiccys tapped 1/8 IPS.

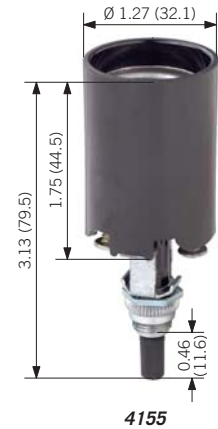
NOM Certified except where indicated by†

SPECIFICATIONS AND FEATURES

- Candle sockets for single-light applications
- Fiber Disc Body for use with standard candle tubes
- Spring-tempered steel clip holds Cat. No. 10014-800 socket rigidly in place

TESTING AND CODE COMPLIANCE

- UL Listed (File #E-3810; E-13400)
- CSA Certified (File #LR-1863)
- NOM Certified (File #057)



4155



9805



10025



10014-800



75W 125V • 660W 250V

Candelabra and Medium Base Incandescent Lampholders



20025



267



167



55

Candle Sockets — Porcelain

Candelabra Base Screw Terminals

DESCRIPTION	CAT. NO.	RATING
Solid Hickey.* Overall Height: 2 ³ / ₃₂ "★‡	20025	75W 125V

*Other hickey sizes available

Keyless Heavy Duty Phenolic Single Circuit Lampholders

Two-Piece Pin Type

DESCRIPTION	CAT. NO.	RATING
Candelabra Base, Detachable Zinc-Plated Wire Hook. Accepts No. 20 – No. 18 Stranded Insulated Wire	267**	75W 125V
Medium Base, Detachable Zinc-Plated Wire Hook. Accepts No. 14 – No. 12 Stranded Insulated Wire	167**	660W 250V

Note: Linings assembled.

**For temporary lighting — not waterproof.

Pigtail Type Medium Base with Leads

DESCRIPTION	CAT. NO.	RATING
Vinyl, Phenolic Interior & Screw Shell, Brass Shell Contact. Leads are No. 14 AWG, 6" Long, Stripped 3/4", Molded into Boots‡	55**	660W 250V
Phenolic with Brass Screw Shell. Leads Soldered and Hot Waxed in Deep Well are No. 14 AWG 6" Long	157**	660W 250V
Same as 157 above, with Left-Hand Screw Shell	157-X**	660W 250V
Rubber, Aluminum Screwshell. Leads are No. 16 AWG, 6" Long, Soldered to Terminals and Sealed in Rubber Boot★	124-D	660W 250V

**For temporary lighting—not waterproof.

All devices are UL Listed except Cat.No. 124-D. Also CSA Certified except where indicated by ★, and NOM Certified except where indicated by ‡

Note: The listed products may be used at construction sites provided that bulb cages are used and suitable splices are made. The listing for the products meets the OSHA requirement and is made for open wiring without a separate outlet box.

SPECIFICATIONS AND FEATURES

- Candle socket has white unglazed porcelain body with aluminum screw shell
- Choice of Pin-Type or Pigtail Type for temporary lighting applications
- Two-Piece Pin Type automatically pierces wire leads

TESTING AND CODE COMPLIANCE

- UL Listed (File #E-13400) 267**
- UL Listed (File #E-3810) 55**, 157**, 157-X** and 167**
- CSA Certified (File #LR-1863)
- NOM Certified (File #057)

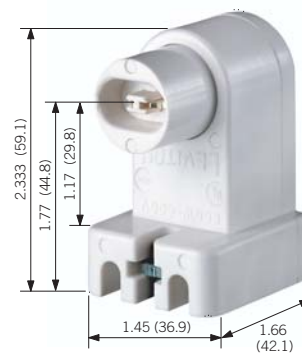


Medium, High Output and Slimline—Linear Fluorescent Lampholders

Fluorescent Lampholders

For High Output Lamps — Recessed Double Contact, Pedestal Type

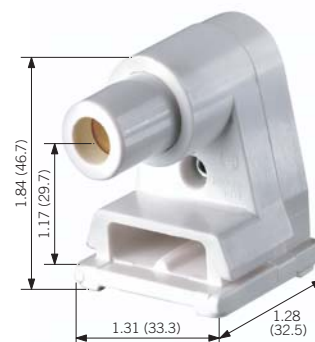
DESCRIPTION	CAT. NO. PLUNGER	CAT. NO. FIXED	RATING
Screw Mount, Straight-in wiring Through Wireways or Screw Terminals*	464	465	660W 600V
Same as 464 and 465, except with Push-In Wiring*	13464	13465	660W 600V
Slide-on, Shallow Base, Quickwire Terminals*	13550	13551	660W 600V
Slide-on, Shallow Base for Power Groove and Jacketed Lamps, Quickwire Terminals*	13556	13557	660W 600V



464

For Slimline, Single Pin Lamps

DESCRIPTION	CAT. NO. PLUNGER	CAT. NO. FIXED	RATING
Butt-On Surface Mounting, 12" Leads‡	452	453	660W 1000V 660W 600V
Pedestal Base, Slide-On	466	467	660W 1000V 660W 600V
Shallow Base, Slide-On or Lock-On Mounting, Quickwire Terminals*	2536	2537	660W 1000V 660W 600V



2536

For Medium Bi-Pin Lamps

DESCRIPTION	CAT. NO. WHITE	RATING
Thin Body, Quickwire Terminals Accommodate Rapid-Start Circuits	431-W	660W 600V
Pedestal type, Straight-in Wiring Through Wireways or Screw Terminals‡	390-1W	660W 600V
Same as above, with Starter Base‡	391-1W	660W 600V



2537

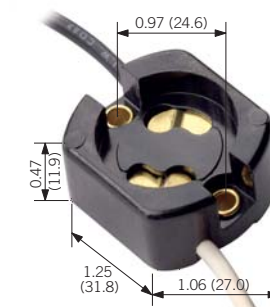
Starter Bases

For Medium Bi-Pin Lamps

DESCRIPTION	CAT. NO.	RATING
Starter Base; Screw Terminals, Black‡	380	660W 250V
Starter Base; with Leads, Black‡	396	660W 250V

NOM Certified except where indicated by‡

*Suitable for outdoor applications when properly enclosed



396

SPECIFICATIONS AND FEATURES

- Silver-plated copper alloy contacts
- Quickwire terminals accept No. 18 AWG twisted and tinned, solder-dipped or solid leads
- Lampholders are white, starter bases are black

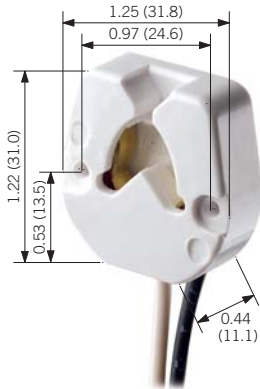
TESTING AND CODE COMPLIANCE

- UL Listed (File #E-5833)
- CSA Certified (File #LR-1863; LR-5863; LR-2200)
- NOM Certified (#057)

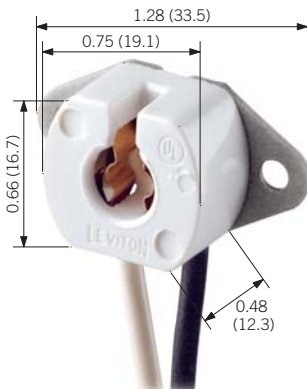


660W 600V • 660W 1000V • 75W 250V

Medium and Miniature Bi-Pin Lamps—Linear Fluorescent Lampholders



395-W



420-W



13518 — see diagram right

For Medium and Miniature Bi-Pin Lamps — Surface Mount with Leads*

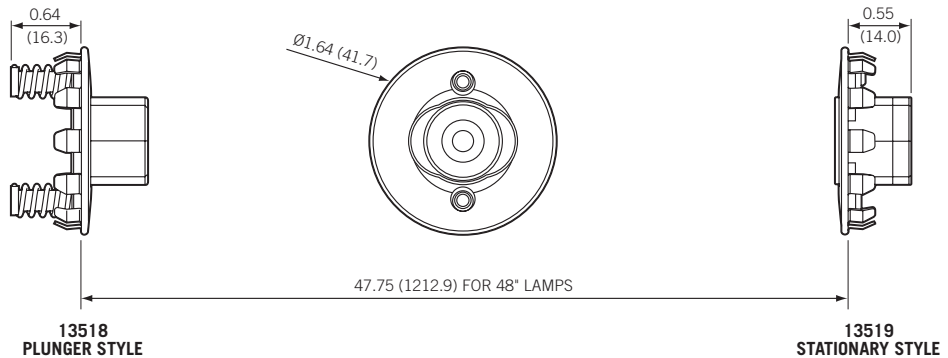
DESCRIPTION	CAT. NO. WHITE	RATING
Rapid-Start Medium Bi-Pin, 9" leads	395-W	660W 600V
Rapid-Start Medium Bi-Pin, Disconnect (paired with Cat. No. 395-W), 9" leads	389-W	660W 600V
Miniature Bi-Pin for T5 Lamp, 6" leads	420-W	75W 250V

*Leads are No. 18 AWG, 105°C plastic insulated wire

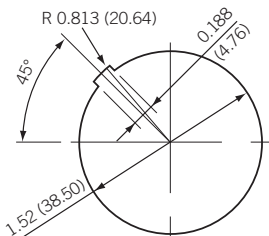
For Slimline, Medium Bi-Pin, High Output Lamps — Snap-In with Quickwire

DESCRIPTION	CAT. NO. PLUNGER	CAT. NO. FIXED	RATING
Slimline‡	516	517	660W 1000V 660W 600V
Medium Bi-Pin, Stainless Steel Coverplate & Clip	13518	13519	660W 600V 660W 600V
Medium Bi-Pin, Same as above, with Internal Shunt for Use with Electronic Ballasts	23518	23519	660W 600V 660W 600V
High Output 800mA and 1500mA‡	523	524	660W 600V 660W 600V

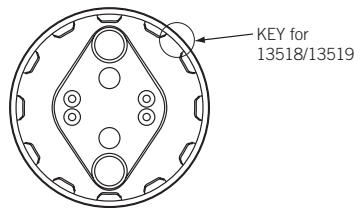
NOM Certified except where indicated by‡



Medium Bi-Pin Spacing



PANEL OPENING FOR 13518/13519
PANEL THICKNESS 0.035-0.050 (0.89-1.27)



SPECIFICATIONS AND FEATURES

- Versatile snap-in mounting reduces fixture assembly time
- Quickwire terminals accept either No. 18 AWG (stranded, twisted or tinned), No. 18 AWG solid or No. 16 AWG solid.
- Internal Shunt versions stamped "S" on back for easy identification

TESTING AND CODE COMPLIANCE

- UL Listed (File #E-5833)
- CSA Certified (File #LR-5863; LR-1863)
- NOM Certified (#057)





Medium Bi-Pin Lamps—Linear Fluorescent Lampholders

For Medium Bi-Pin Lamps — Turn-Type

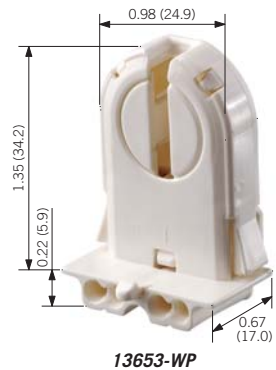
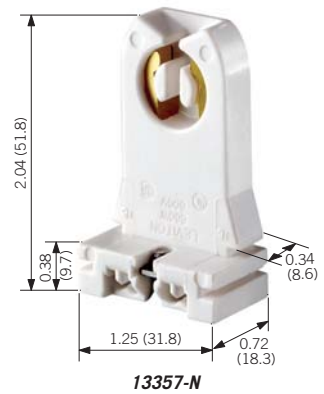
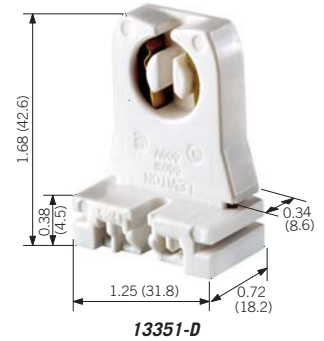
DESCRIPTION	CAT. NO.	RATING
Low Profile, Slide-On, with Captive Nut	13353-N	660W 600V
Tall Profile, Slide-On, with Captive Nut	13357-N	660W 600V
Tall Profile without Side Grooves, Slide-On, with Captive Nut	13359-N	660W 600V
Low Profile Disconnect, Slide-On	13351-D	660W 600V
Tall Profile Disconnect, Slide-On	13354-D	660W 600V
Low-Profile; Shunted, Slide-On	23351	660W 600V

For Medium Bi-Pin Lamps — Straight-In

DESCRIPTION	CAT. NO.	RATING
Low Profile, Slide-On	13150-UR5	660W 600V
Self-Locking; Slide-In, with Captive Nut For use with T-8 Lamps	13451-N	660W 600V

For Medium Bi-Pin Lamps — Snap-In/Slide-On Design and Lamp-Lock

DESCRIPTION	CAT. NO.	RATING
Snap-In or Slide-On Mounting Featuring Lamp-Lock, with Panel Locator Post. For T-8 and T-12 Lamps	13653-WP	660W 600V
Same as Above, Less Locator Post	13653-NP	660W 600V
Same as 13653-WP, Except with Internal Shunt Connection for Electronic Ballasts	23653-WP	660W 600V
Same as Above, Less Locator Post	23653-NP	660W 600V
Snap-In or Slide-On Mounting Featuring Lamp-Lock, Optional Panel Locator Post. Dedicated for Energy-Efficient T-8 Lamps Only	13652-WP	660W 600V
Same as 13652, Except with Internal Shunt Connection for Electronic Ballasts	23652-WP	660W 600V
Snap-In or Slide-On Mounting Featuring Lamp-Lock, for Energy-Efficient T-8 Lamps Only. Wide-Wing Design	13652-WWP	600W 600V
Same as Above, Less Locator Post	13652-WNP	600W 600V
Same as 13652-WWP, Except with Internal Shunt Connection for Electronic Ballasts	23652-WWP	600W 600V
Same as Above, Less Locator Post	23652-WNP	600W 600V
Snap-In or Slide-On Mounting Featuring Lamp-Lock, for T-8 and T-12 Lamps. Wide-Wing Design	13653-WWP	600W 600V
Same as Above, Less Locator Post	13653-WNP	600W 600V
Same as 13653-WWP, Except with Internal Shunt Connection for Electronic Ballasts	23653-WWP	600W 600V
Same as Above, Less Locator Post	23653-WNP	600W 600V



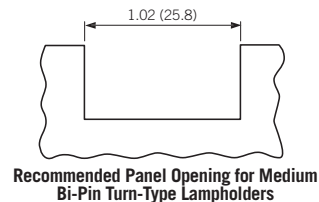
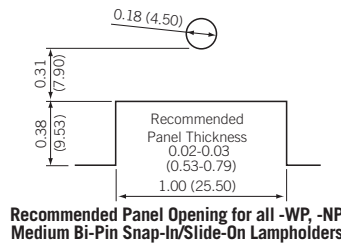
SPECIFICATIONS AND FEATURES

Lamp-Lock

- Four-position lamp-lock socket rotates 90°, forward and back, for quick relamping
- Lamp-Lock models have slim, low profile silhouette that fits 22 to 25 gauge panels
- Chemical-resistant white thermoplastic body

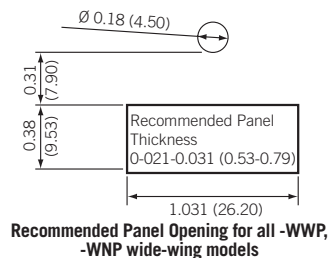
TESTING AND CODE COMPLIANCE

- UL Listed (File #E-5833)
- CSA Certified (File #LR-1863; LR-5863; LR-2200)
- NOM Certified (#057)
- Medium Bi-Pin lamps with Snap-In/Slide-On Design and Lamp-Lock are VDE Certified to IEC



Recommended Panel Opening for Medium Bi-Pin Turn-Type Lampholders

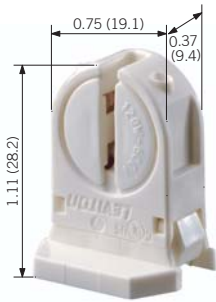
This is only a recommendation — lampholder will function over a wider range



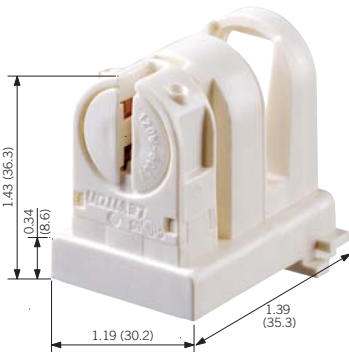


120W 600V • 660W 600V

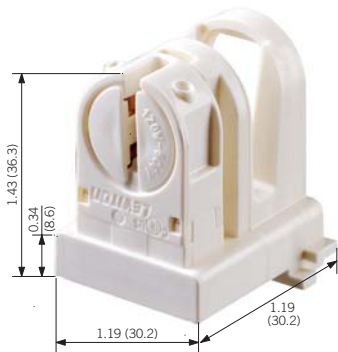
Medium and Miniature Bi-Pin Lamps—Linear Fluorescent Lampholders



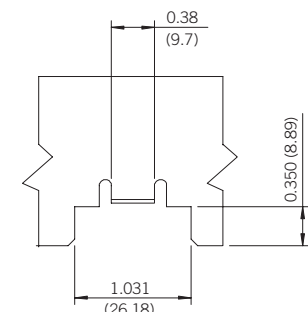
13654-SNP



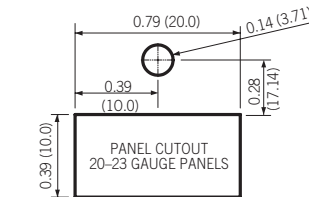
13654-EXL



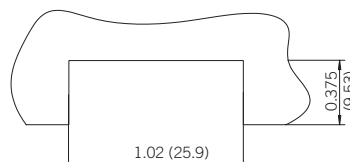
13654-EXS



Recommended Panel Opening for Medium Bi-Pin Slide-On Lampholders



Recommended Panel Opening for Miniature Bi-Pin Snap-In/Slide-On Lampholders



Recommended Panel Opening for T-8 to T-5 Adapter

For Medium Bi-Pin Lamps — Slide-On Design and Lamp-Lock[®]

DESCRIPTION	CAT. NO.	RATING
Medium Profile 0.91 (23.0) Lamp Center. Slide-On Mounting Featuring Lamp Lock. For T-8 and T-12 Lamps	13661	660W-600V
Same as 13661, Except with Internal Shunt Connection for Electronic Ballasts	23661	660W-600V
Tall Profile 1.18 (30.0) Lamp Center. Slide-On Mounting Featuring Lamp Lock. For T-8 and T-12 Lamps	13660	660W-600V
Same as 13660, Except with Internal Shunt Connection for Electronic Ballasts	23660	660W-600V

For Miniature Bi-Pin Lamps — Snap-In/Slide-On Design and Lamp-Lock[®]

DESCRIPTION	CAT. NO.	RATING
Low Profile 0.62 (15.7) Lamp Center, Snap-In or Slide-On Mounting Featuring Lamp-Lock, with Panel Locator Post. For T-5 Lamps	13654-SWP	120W 600V
Same as Above, Less Locator Post	13654-SNP	120W 600V
Tall Profile 0.98 (24.9) Lamp Center, Snap-In or Slide-On Mounting Featuring Lamp-Lock, with Panel Locator Post. For T-5 Lamps	13654-TWP	120W 600V
Same as Above, Less Locator Post	13654-TNP	120W 600V
Low Profile 0.62 (15.7) Lamp Center, Snap-In or Slide-On Mounting Featuring Lamp-Lock, with Panel Locator Post. For T-5 Lamps. Internal Shunt Connection for Electronic Ballasts	23654-SWP	120W 600V
Same as Above, Less Locator Post	23654-SNP	120W 600V
Tall Profile 0.98 (24.9) Lamp Center, Snap-In or Slide-On Mounting Featuring Lamp-Lock, with Panel Locator Post. For T-5 Lamps. Internal Shunt Connection for Electronic Ballasts.	23654-TWP	120W 600V
Same as above, Less Locator Post	23654-TNP	120W 600V

T-8 to T-5 Adapter

Long T-8 to T-5 Adapter, converts existing T-8 fixtures to accept energy-efficient T-5 lamps; with Lamp Lock. <i>Specify lamp length for proper ordering</i>	13654-EXL	120W 600V
Short T-8 to T-5 Adapter, converts existing T-8 fixtures to accept energy-efficient T-5 lamps; with Lamp Lock. <i>Specify lamp length for proper ordering</i>	13654-EXS	120W-600V

SPECIFICATIONS AND FEATURES

Lamp-Lock

- Four-position lamp-lock socket rotates 90°, forward and back, for quick relamping
- Lamp-Lock models have slim, low profile silhouette that fits 22 to 25 gauge panels
- Chemical-resistant white thermoplastic body

T-8 to T-5 Adapter

- Cost-effective solution to incorporate miniature bi-pin T-5 lamps into existing T-8 configurations

TESTING AND CODE COMPLIANCE

- UL Listed (File #E-5833)
- CSA Certified (File #LR-1863; LR-5863; LR-2200)
- NOM Certified (#057)
- Medium Bi-Pin Lamps with Slide-On Design and Lamp-Lock are VDE Certified to IEC



Long Twin Tube with 2G11 Base—Compact Fluorescent Lampholders

4-Pin Long Twin-Tube with 2G11 Base — Slide-In Mounting

DESCRIPTION	CAT. NO.	RATING
Slide-In for 18-20 Ga. Panels, Quickwire Terminals	13452	660W 600V

4-Pin Long Twin-Tube with 2G11 Base — Bottom or Back Mounting

DESCRIPTION	CAT. NO.	RATING
Vertical Snap-In Mounting, Side Push-In Wiring	13453	660W 600V
Same as above, with Internal Shunt Connection for Electronic Ballasts	23453	660W 600V
Horizontal Snap-In Mounting, Bottom Push-In Wiring	13454	660W 600V
Same as above, with Internal Shunt Connection for Electronic Ballasts	23454	660W 600V
Horizontal Screw-Mount, Bottom Push-In Wiring	13455	660W 600V
Same as above, with Internal Shunt Connection for Electronic Ballasts	23455	660W 600V

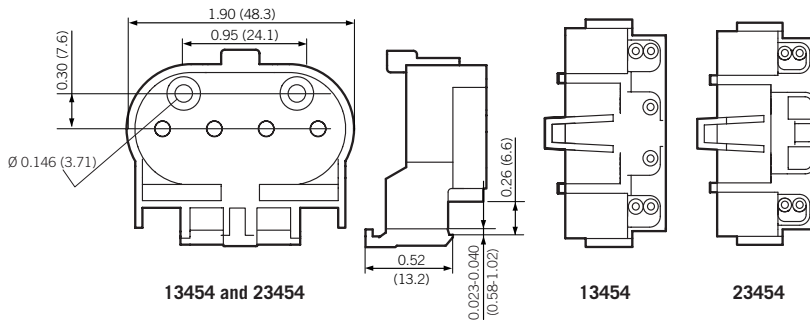
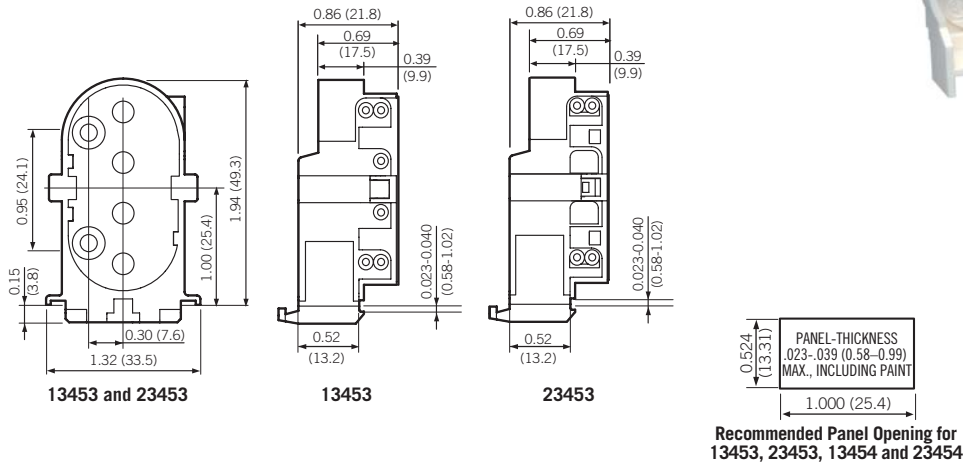
Note: See page S18 for Lamp Support Clips



13453



13454

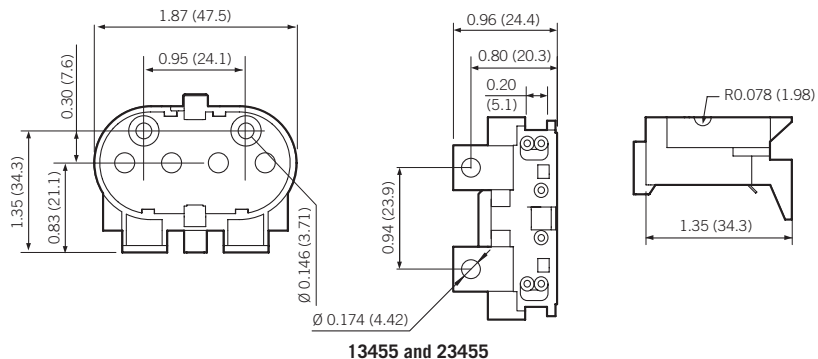


SPECIFICATIONS AND FEATURES

- Vertical Snap-In model allows wires to be routed on either top or bottom of panel
- Two wiring ports per contact speed harness wiring
- Internal Shunt models eliminate need for extra jumper wire in fixtures designed for electronic ballasts
- Low-profile design for smaller, more compact fixtures
- Superior metal-spring lamp retainer clips

TESTING AND CODE COMPLIANCE

- UL Listed (File #E-5833)
- CSA Certified (File #LR-1863)
- NOM Certified (File #057)





LAMP SUPPORT CLIPS

Lamp Support Clips for Long Twin Tube 2G11 Base Fluorescent Lampholders



23452-H



23452-V



23452-MTS

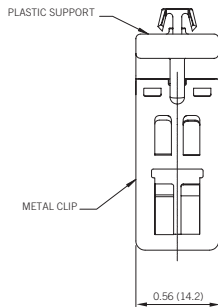
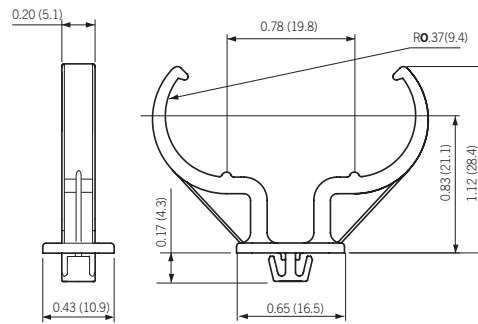
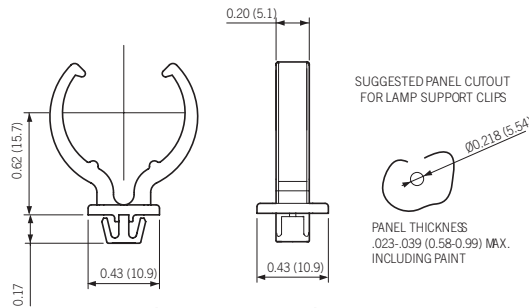


23452-MTL

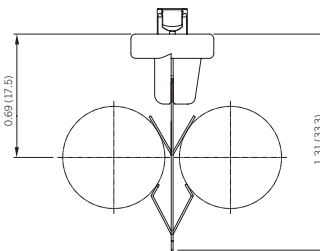
Plastic and Stainless Steel Lamp Support Clips

DESCRIPTION	CAT. NO.
Plastic Lamp Support Clip, Slide-On	23452-A*
Plastic Lamp Support Clip, Screw Mount	23452-B*
Horizontal Snap-In Lamp Support Clip for 13454, 23454, 13455 and 23455. UV-Stable, Clear Polycarbonate	23452-H*
Vertical Snap-In Lamp Support Clip for 13453 and 23453. UV-Stable, Clear Polycarbonate	23452-V*
Stainless Steel Horizontal Lamp Support Clip, Short Version	23452-MTS
Stainless Steel Horizontal Lamp Support Clip, Tall Version	23452-MTL

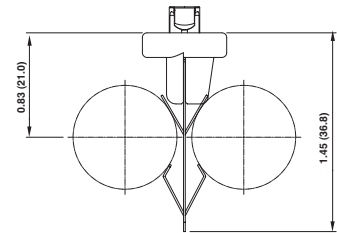
*Note: Leviton strongly recommends replacing support clips 23452-A, 23452-B, 23452-V and 23452-H during lamp replacement.



Horizontal Lamp Support Clips
23452-MTS, 234452-MTL



Horizontal Lamp Support Clip, Short
23452-MTS



Horizontal Lamp Support Clip, Tall
23452-MTL

SPECIFICATIONS AND FEATURES

- Choice of quality lamp support clips in a variety of configurations for long twin tube lamps with 2G11 base
- UV stable clear polycarbonate clips for vertical or horizontal mounting
- Stainless steel clips with UV stable clear polycarbonate base for horizontal mounting only; short or tall versions
- Plastic clips for slide-on or screw-mount



Compact Fluorescent Lampholders (CFLs)

10mm Compact Fluorescent Lampholders

For G23 and G23-2 Lamp Bases — Rating: 75 WATT 600V

MOUNTING	CAT. NO.	COLOR	LAMP BASE	PHILIPS	OSRAM SYLVANIA	GE LIGHTING
Horizontal Snap-In	26719-100	White	G23, G23-2			
Horizontal Screw-Down	26719-200	White	G23, G23-2	PL-S 5W, 7W 9W	DULUX S 5W, 7W, 9W DULUX D 9W	BIAX 5W, 7W 9W DOUBLE BIAX 9W
Vertical Top Snap-In	26719-300*	White	G23			
4-Hole Vertical Screw-Down	26719-400	White	G23, G23-2			
Vertical Bottom Snap-In	26719-500	White	G23, G23-2			

*Not compatible with 9-watt DTT lamps

For GX23 and GX23-2 Lamp Bases — Rating: 75 WATT 600V

MOUNTING	CAT. NO.	COLOR	LAMP BASE	PHILIPS	OSRAM SYLVANIA	GE LIGHTING
Horizontal Snap-In	26720-100	White w/Black	GX23, GX23-2			
Horizontal Screw-Down	26720-200	White w/Black	GX23, GX23-2			
Vertical Top Snap-In	26720-300*	White w/Black	GX23	PL-S 13W PL-C 13W	DULUX S 13W DULUX D 13W	BIAX 13W DOUBLE BIAX 13W
4-Hole Vertical Screw-Down	26720-400	White w/Black	GX23, GX23-2			
Vertical Bottom Snap-In	26720-500	White w/Black	GX23, GX23-2			

*Not compatible with 13-watt DTT lamps



26719-100



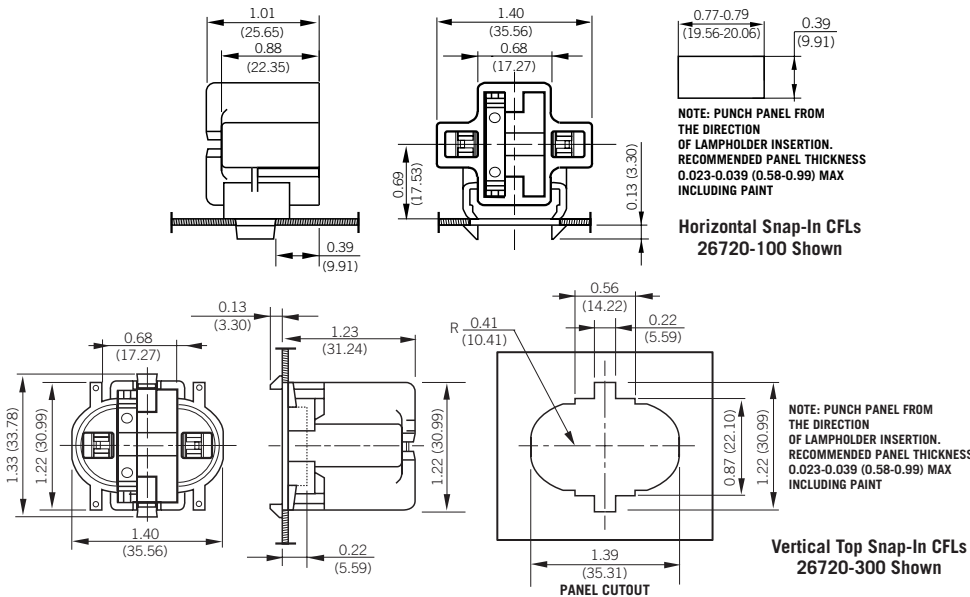
26719-200



26720-300



26720-400



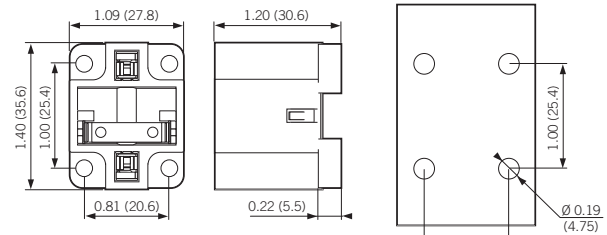
SPECIFICATIONS AND FEATURES

- “Smart” CFL Lampholders are color-coded for easy wattage identification
- Bottom Snap-In versions for easier panel assembly
- Snap-In versions designed for 16 Ga. panels
- Metal-spring lamp-retainer clip provides positive lamp retention and is more durable than plastic clips
- Two wiring ports per contact speed harness wiring

- Four screw holes for greater mounting flexibility
- Wire-routing options for top or bottom side of mounting panel for easier assembly
- White thermoplastic body

TESTING AND CODE COMPLIANCE

- UL Listed (File #E-5833)
- UL Listed for indoor and outdoor applications when properly enclosed
- CSA Certified (File #LR-1863)
- NOM Certified (File #057)



NOTE: RECOMMENDED MOUNTING SELF-THREADING #8 SCREW

4-Hole Vertical Screw-Down CFLs — 26720-400 Shown



75W 600V

Compact Fluorescent Lampholders (CFLs)



26725-213



26725-419

10mm Compact Fluorescent Lampholders

For G24d Lamp Bases 2-Pin — Rating: 75 WATT 600V

MOUNTING	CAT. NO.	COLOR	LAMP BASE	PHILIPS	OSRAM SYLVANIA	GE LIGHTING
Bottom Snap-In						
For 16 Ga. Panels	26725-201	White	G24d-1	PL-C	DULUX D	DOUBLE
For 18-20 Ga. Panels	26725-221	w/Black		10W, 13W	10W, 13W	BIAX 10W, 13W
For 16 Ga. Panels	26725-202	Green	G24d-2	PL-C	DULUX D	DOUBLE
For 18-20 Ga. Panels	26725-222			18-W	18W	BIAX 18W
For 16 Ga. Panels	26725-203	Orange	G24d-3	PL-C	DULUX D	DOUBLE
For 18-20 Ga. Panels	26725-223			26W	26W	BIAX 26W
Bottom Screw-Down						
4-Hole	26725-211	White w/Black	G24d-1	PL-C	DULUX D	DOUBLE
				10W, 13W	10W, 13W	BIAX
4-Hole	26725-212	Green	G24d-2	PL-C	DULUX D	DOUBLE
				18W	18W	BIAX 18W
4-Hole	26725-213	Orange	G24d-3	PL-C	DULUX D 26W	DOUBLE
				26W	DULUX T 26W	BIAX 26W

For G24q and GX24q Lamp Bases 4-Pin — Rating: 75 WATT 600V

Suitable for Dimming or Electronic Ballasts

MOUNTING	CAT. NO.	COLOR	LAMP BASE	PHILIPS	OSRAM SYLVANIA	GE LIGHTING
Bottom Snap-In						
For 16 Ga. Panels	26725-401	White	G24q-1	PL-C	DULUX D/E	DOUBLE
For 18-20 Ga. Panels	26725-421	w/Black		10W, 13W	10W, 13W	BIAX 10W, 13W
For 16 Ga. Panels	26725-402	Green	G24q-2	PL-C	DULUX D/E	DOUBLE
For 18-20 Ga. Panels	26725-422			18W	18W	BIAX 18W
For 16 Ga. Panels	26725-403	Orange	G24q-3,	PL-C 26W	DULUX D/E	DOUBLE
For 18-20 Ga. Panels	26725-423		GX24q-3	PL-T	DULUX T/E	BIAX
			26W, 32W	26W, 32W	26W	
For 16 Ga. Panels	26725-404	Yellow	GX24q-4	PL-T 42W	DULUX T/E	PERFORMANCE
For 18-20 Ga. Panels	26725-424				42W	BIAX 42W
For Universal ballast only,	26725-429	White	G24q-3	PL-T 26W,	DULUX T/E	TRIPLE BIAX
18-20 Ga. Panels			GX24q-4	32W, 42W	26W, 32W,	26W, 32W,
					42W	42W
Bottom Screw-Down						
4-Hole	26725-411	White w/Black	G24q-1	PL-C	DULUX D/E	DOUBLE
				10W, 13W	10W, 13W	BIAX 10W, 13W
4-Hole	26725-412	Green	G24q-2	PL-C 18W	DULUX D/E	DOUBLE
					18W	BIAX 18W
4-Hole	26725-413	Orange	G24q-3,	PL-C 26W	DULUX D/E	DOUBLE
			GX24q-3	PL-T	DULUX T/E	BIAX
				26W, 32W	26W, 32W	26W
4-Hole	26725-414	Yellow	GX24q-4	PL-T 42W	DULUX T/E	PERFORMANCE
					42W	BIAX 42W
4-Hole	26725-419	White	G24q-3	PL-T 26W,	DULUX T/E	TRIPLE BIAX
For Universal ballast only			GX24q-4	32W, 42W	26W, 32W,	26W, 32W,
					42W	42W

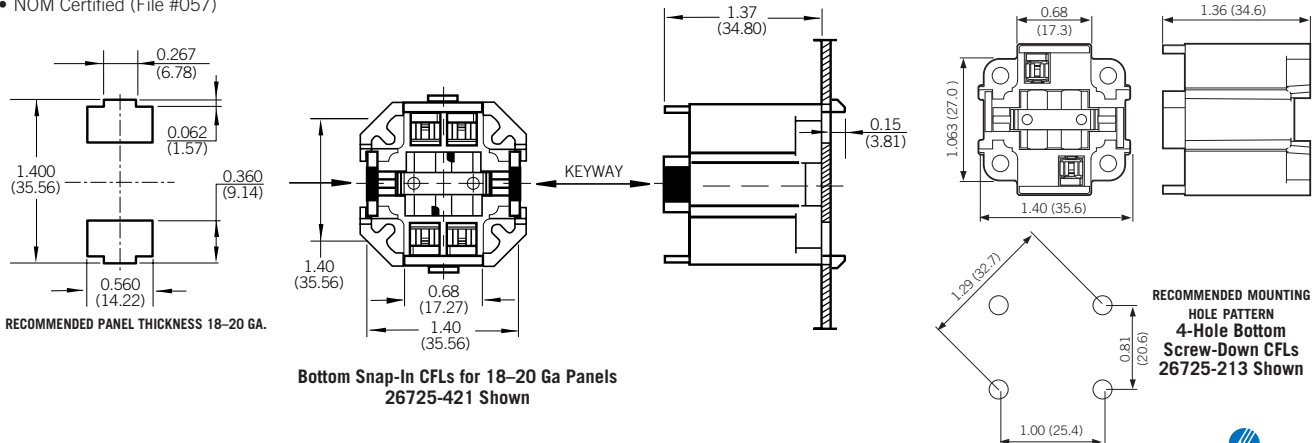
SPECIFICATIONS AND FEATURES

- “Smart” CFL Lampholders are color-coded for easy wattage identification
- Bottom snap-in versions for easier panel assembly available for 16 Ga. and 18–20 Ga. panels
- All 4-pin lampholders have internal rejection feature that prevents insertion of 2-pin lamps
- Metal-spring lamp-retainer clip provides positive lamp retention and is more durable than plastic clips
- Two wiring ports per contact speed harness wiring
- Four screw holes for greater mounting flexibility
- Wire-routing options for top or bottom side of mounting panel for easier assembly
- White thermoplastic body

TESTING AND CODE COMPLIANCE

- UL Listed (File #E-5833)
- UL Listed for indoor and outdoor applications when properly enclosed
- CSA Certified (File #LR-1863)
- NOM Certified (File #057)

Note: Lamp names are trademarked by manufacturers



To learn more about Leviton's outstanding offering of devices visit our Website at: www.leviton.com





Compact Fluorescent Lampholders (CFLs)

10mm Compact Fluorescent Lampholders for High-Wattage Lamps

For GX24q Lamp Bases, 4-Pin — Rating: 75 WATT 600V
Suitable for Dimming or Electronic Ballasts

MOUNTING	CAT. NO.	COLOR	LAMP BASE	OSRAM SYLVANIA	GE LIGHTING
Bottom Snap-In for 16 Ga. Panels	26725-405	Blue	GX24q-5	DULUX T/E 57W	BIAX Q/E 57W
4-Hole Bottom Screw-Down	26725-415	Blue	GX24q-5	DULUX T/E 57W	BIAX Q/E 57W
2-Hole Bottom Screw-Down, Round Body	26725-4A5	Blue	GX24q-5	DULUX T/E 57W	BIAX Q/E 57W
Bottom Snap-In for 18–20 Ga. Panels	26725-425	Blue	GX24q-5	DULUX T/E 57W	BIAX Q/E 57W
Bottom Snap-In for 16 Ga. Panels	26725-406	Red	GX24q-6	—	BIAX Q/E 70W
4-Hole Bottom Screw-Down	26725-416	Red	GX24q-6	—	BIAX Q/E 70W
2-Hole Bottom Screw-Down, Round Body	26725-4A6	Red	GX24q-6	—	BIAX Q/E 70W
Bottom Snap-In for 18–20 Ga. Panels	26725-426	Red	GX24q-6	—	BIAX Q/E 70W



26725-406



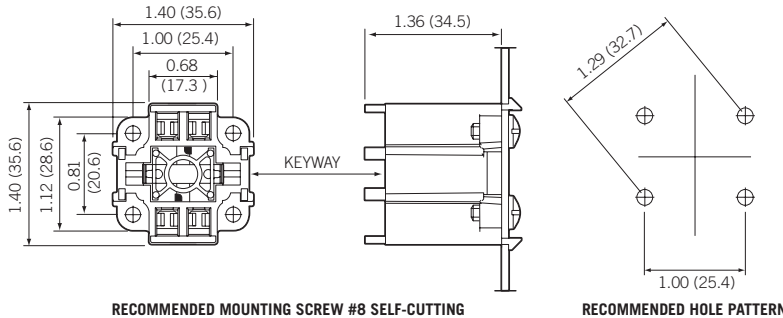
26725-425



26725-416



26725-426



RECOMMENDED MOUNTING SCREW #8 SELF-CUTTING

RECOMMENDED HOLE PATTERN

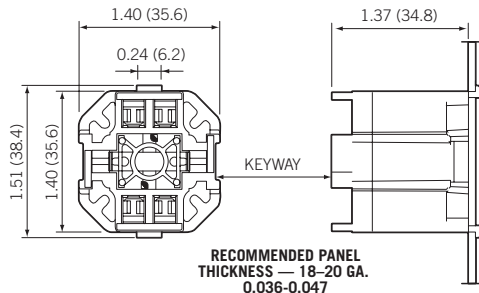
4-Hole Bottom Screw-Down CFLs
26725-415 Shown

SPECIFICATIONS AND FEATURES

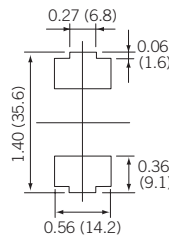
- “Smart” CFL Lampholders are color-coded for easy wattage identification
- Bottom Snap-In versions for easier panel assembly available for 16 Ga. and 18–20 Ga. panels
- All 4-pin lampholders have internal rejection feature that prevents insertion of 2-pin lamps
- Metal-spring lamp-retainer clip provides positive lamp retention
- Two wiring ports per contact speed harness wiring
- Wire-routing options for top or bottom side of mounting panel for easier assembly
- Bodies are white thermoplastic (with color-coding as indicated)
- Quick-connect push-in wiring terminals accept No. 18 AWG solid or twisted-and-overtinned leads, stripped 3/8 inch

TESTING AND CODE COMPLIANCE

- UL Listed (File #E-5833)
- UL Listed for indoor and outdoor applications when properly enclosed
- CSA Certified (File #LR-1863)
- NOM Certified (#057)



RECOMMENDED PANEL THICKNESS — 18–20 GA.
0.036-0.047



RECOMMENDED PANEL OPENING

Bottom Snap-In CFLs for 18–20 Ga Panels
26725-426 Shown



75W 600V

Compact Fluorescent Lampholders (CFLs)



26725-4A2



26725-4A3



26725-4A5

10mm Compact Fluorescent Lampholders with Round Bodies

For G24d Lamp Bases, 2-Pin — Rating: 75 WATT 600V
Bottom Screw-Down Mounting  

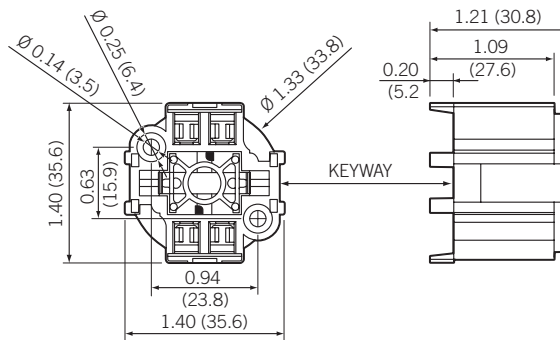
CAT. NO.	COLOR	LAMP BASE	PHILIPS	OSRAM SYLVANIA	GE LIGHTING
26725-2A1	Black	G24d-1	PL-C 10W, 13W	DULUX D 10W, 13W	DOUBLE BIAX 10W, 13W
26725-2A2	Green	G24d-2	PL-C, 18W	DULUX D, 18W DULUX T, 18W	DOUBLE BIAX 18W
26725-2A3	Orange	G24d-3	PL-C, 26W	DULUX D, 26W DULUX T, 26W	DOUBLE BIAX 26W

For G24q and GX24q Lamp Bases, 4-Pin — Rating: 75 WATT 600V
Bottom Screw-Down Mounting — Suitable for Dimming or Electronic Ballasts  

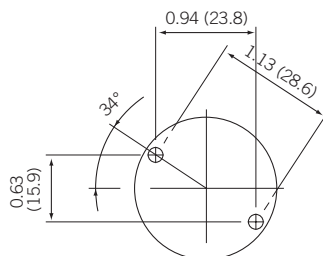
CAT. NO.	COLOR	LAMP BASE	PHILIPS	OSRAM SYLVANIA	GE LIGHTING
26725-4A1	Black	G24q-1	PL-C 10W, 13W	DULUX-D 10W, 13W	DOUBLE BIAX 10W, 13W TRIPLE BIAX 13W
26725-4A2	Green Green	G24q-2 GX24q-2	PL-C, 18W PL-C, 18W	DULUX D, 18W DULUX T/E, 18W	DOUBLE BIAX, 18W TRIPLE BIAX, 18W
26725-4A3	Orange Orange	G24q-3 GX24q-3	PL-C, 26W PL-T 26W, 32W	DULUX D, 26W DULUX T/E 26W, 32W	DOUBLE BIAX, 26W TRIPLE BIAX 26W, 32W
26725-4A4	Yellow	GX24q-4	PL-T, 42W	DULUX T/E, 42W	PERFORMANCE BIAX 42W
26725-4A5	Blue	GX24q-5	—	DULUX T/E, 57W	BIAX Q/E, 57W
26725-4A6	Red	GX24q-6	—	—	BIAX Q/E, 70W
26725-4A9 Universal*	No color code White body only	G24q-3 GX24q-4	PL-T 26W, 32W 42W	DULUX T/E 26W, 32W, 42W	TRIPLE BIAX 26W, 32W, 42W

*For use with universal ballast only

Note: Lamp names are trademarked by manufacturers



All Round-Body CFLs
26725-4A5 Shown



RECOMMENDED PANEL OPENING FOR ALL
ROUND-BODY CFLs

SPECIFICATIONS AND FEATURES

- “Smart” CFL Lampholders are color-coded for easy wattage identification
- All 4-pin lampholders have internal rejection feature that prevents insertion of 2-pin lamps
- Metal-spring lamp-retainer clip provides positive lamp retention and is more durable than plastic clips
- Two wiring ports per contact speed harness wiring
- Wire-routing options for top or bottom side of mounting panel for easier assembly
- Bodies are white thermoplastic (with color-coding as indicated)
- Quick-connect push-in wiring terminals accept No. 18 AWG solid or twisted-and-overtinned leads, stripped 3/8 inch

TESTING AND CODE COMPLIANCE

- UL Listed (File #E-5833)
- UL Listed for indoor and outdoor applications when properly enclosed
- CSA Certified (File #LR-1863)
- NOM Certified (#057)